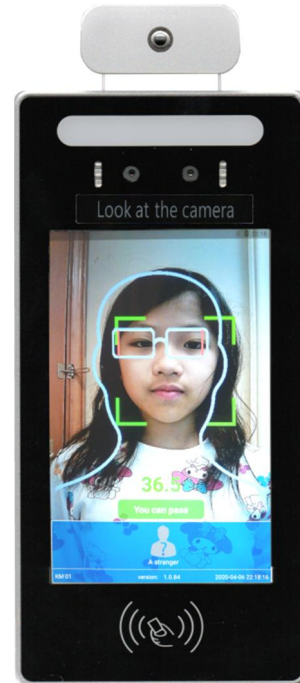


Smart Thermal + Facial Detection System



Due to the coronavirus outbreak, more places have implemented the health check by taking individual temperatures of people. Our STFD system used Infrared Temperature Sensor to capture the overall temperature. With non-contact measurement, calculate the body temperature. People can watch the result from the display screen within 3 seconds.

Based on Artificial Intelligence (AI) Technology, our system combined with Fast Facial Recognition Function. Allow and help organization to find the face(s) from the database that are most similar to the input face.



Advantages

The Smart Thermal + Facial Detection System is suitable for the entrances of all the crowded places, such as buildings estate, shops, companies, station, school, hospital, factories, construction sites... etc.

1. Accuracy - More accurate than forehead thermometer.
2. Efficiency - Save the queuing time when temperature detection of multi-person.
3. Adaptability - Apply the system in different places with flexible fixture.
4. Reliable - Temperature and Facial detection at same time.
5. Low Cost – With the build-in warning function. No personnel guarding requested.

Product Features

Face Temperature Detection and Face Recognition attendance application at same time.

Support Guest reservations, Public Account Self-Service Reservations, User Face Registration.

Support NFC or IC card reader.

Support Offline Operating in Guest Mode.

0.01% Misrecognition Rate and 99.87% Passing Rate (Database= 5000 faces).

Fast recognition face tracking and detection <20ms / Live detection speed <200ms / Facial Feature Extraction <50ms / Facial Comparison <400ms.

Support offline storage of 100,000 face photos and records.

Support Face Recognition users' photos saving.

Support offline operating, online HTTP transmission cloud operating.

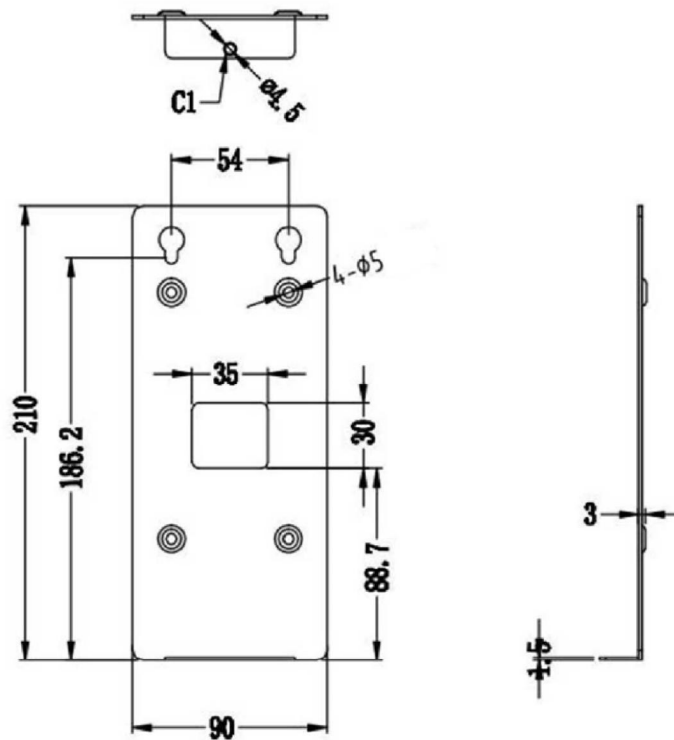
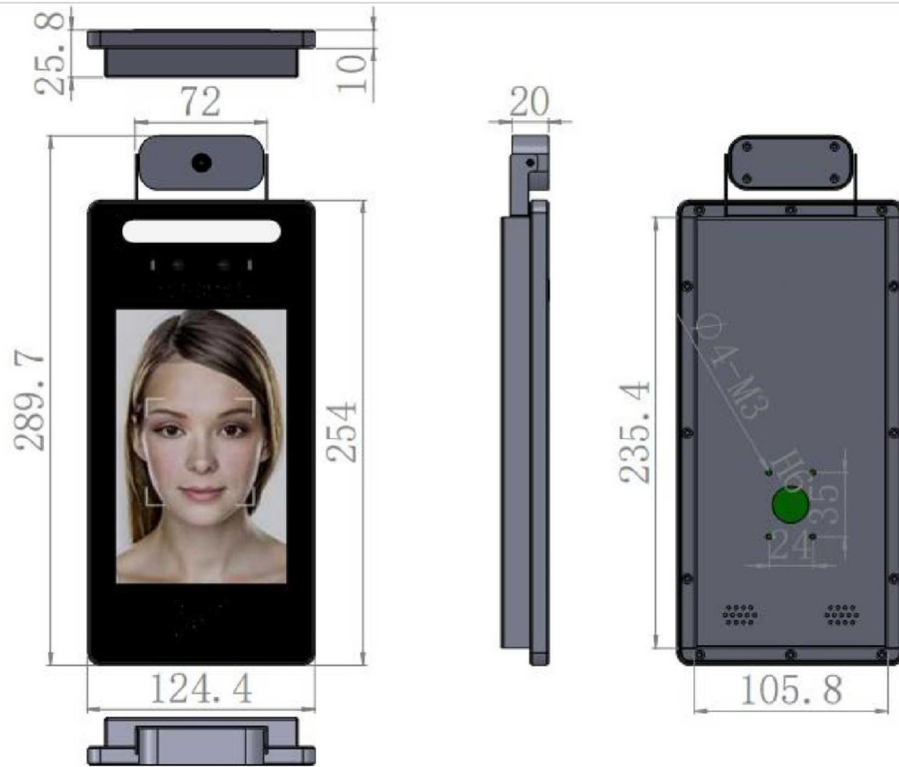
Support external QR code scanner, ID card, IC card reader.

Support Customer's Name, Contents configuration.

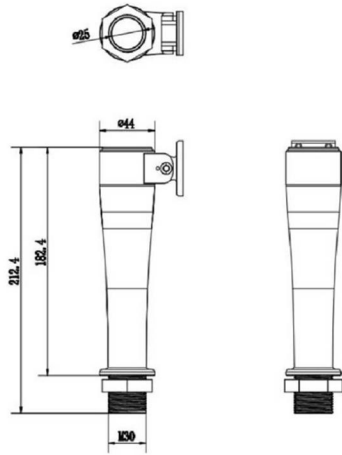
Support Real-Time Reminder if body temperature out of range.

Technical Data

Recognition height:	1.2 - 2.2 meters (adjustable)
Recognition distance:	30 – 50 cm (temperature detection)
Recognition angle (face):	30° / 30° (left/right), 30° / 30° (up/down)
Identification technology:	Infrared Live Detect, Embedded Visible Face Recognition. Adapting to most indoor, outdoor and moving environments.
Face recognition time:	Detection and Tracking <20ms. Response time about 300-500ms
Temperature detection:	2-3 seconds, $\pm 0.3^\circ$ (accurate)
Temperature Detection Range:	10 °C ~ 42 °C
Screen information:	Customer Name, Customer's Information, Real Time Face Temperature
Language:	English, Japanese, Korean, Simply Chinese
Output:	I/O (On/Off), RS-485, RS-232 , Wiegand (26/34,I/O)
Power:	DC 12V
Fixture: (Optional)	Gate Bracket/Vertical Bracket/Wall Mount Bracket/



掛牆支架 (可選)
Wall Mount (Optional)



立式支柱 (可選)
Pole Stand (Optional)



座地支架 (可選)
Floor Stand (Optional)